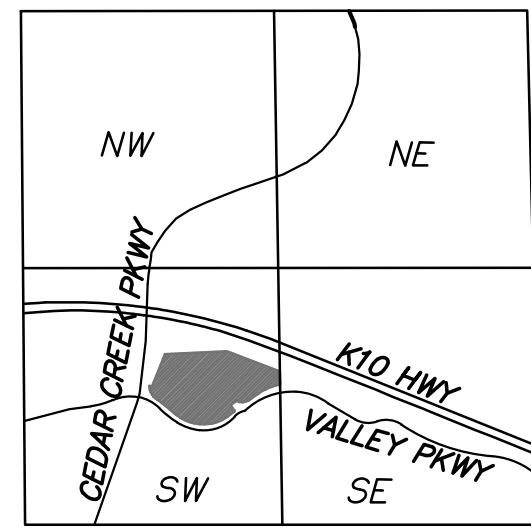
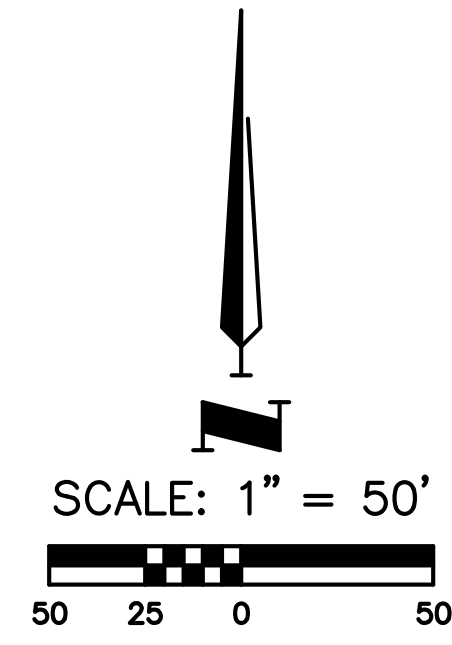
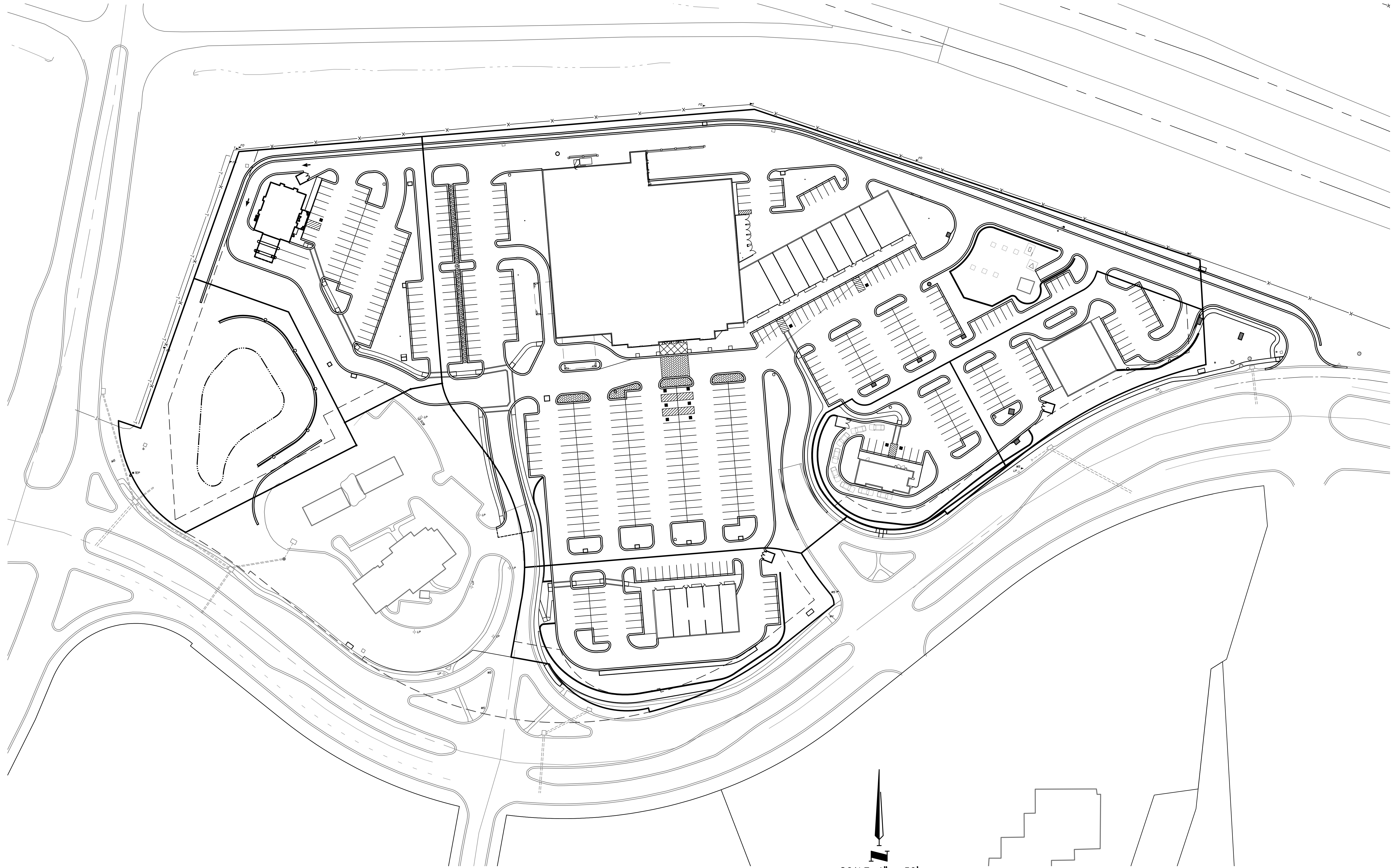


C:\USERS\EMCOLEEN\Desktop\107320-020 PSD.DWG
 LAYOUT, C-1
 XREF DWG1: 107320-020 BAS
 XREF DWG2: 107320-020 SUR
 XREF DWG3:
 XREF DWG4:



OWNER:
 WEST STAR CO., INC.
 13617 W.109TH STREET
 LENEXA, KS 66215
 (913)498-8000
 MICHAEL CHRISTIE
 PRESIDENT

VICINITY MAP
 SEC. 5-13-23

CEDAR CREEK MARKETPLACE
 OLATHE, KANSAS
 PRELIMINARY SITE DEVELOPMENT PLANS
 OVERALL SITE DEVELOPMENT PLAN

107320-020
 SHEET NO.
C-1

SHAFER, KLINE & WARREN, INC.
 11250 Corporate Avenue, Lenexa, KS 66219-1392
 913/888-7800 FAX: 913/888-7868

OFFICE LOCATIONS:
 Iola, KS
 Chillicothe, MO
 Columbia, MO
 Houston, TX

Macon, MO
 North Kansas City, MO
 Tulsa, OK
 Lenexa, KS

CIVIL ENGINEERS ELECTRICAL ENGINEERS MECHANICAL ENGINEERS STRUCTURAL ENGINEERS LANDSCAPE ARCHITECTS LAND SURVEYORS

Designed By: CMP
 Drawn By: FJS
 Checked By: CMP
 Issue Date: 8-28-11

NO.	DATE	REVISIONS	BY
1	10-25-11	PER CITY COMMENTS	CMP
2			
3			
4			
5			

COPYRIGHT © - 2011 - SHAFER, KLINE & WARREN INC